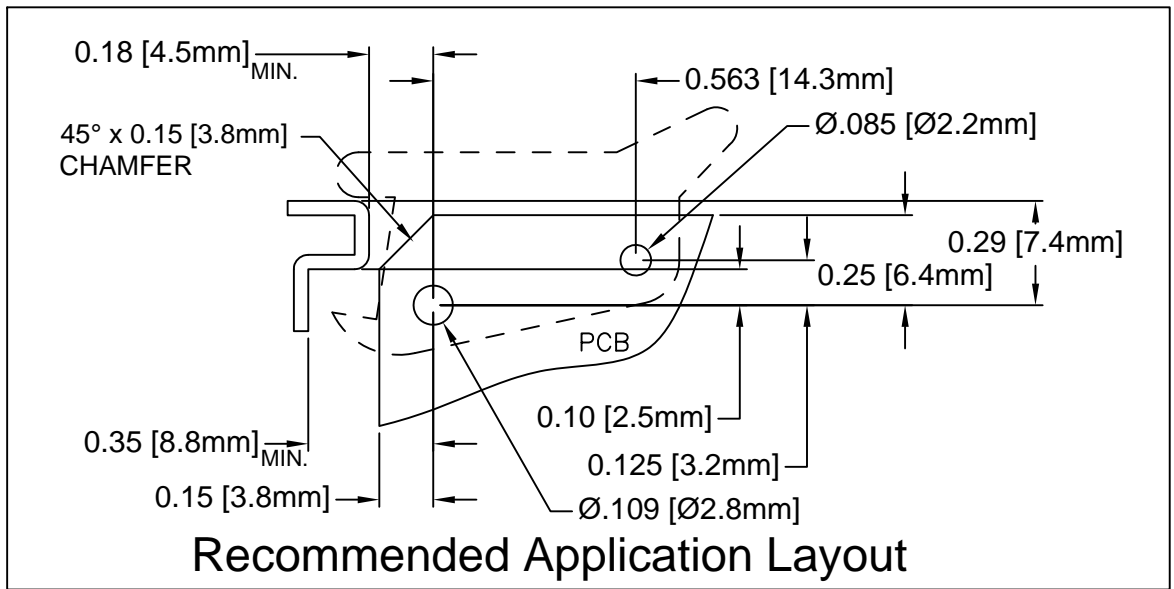
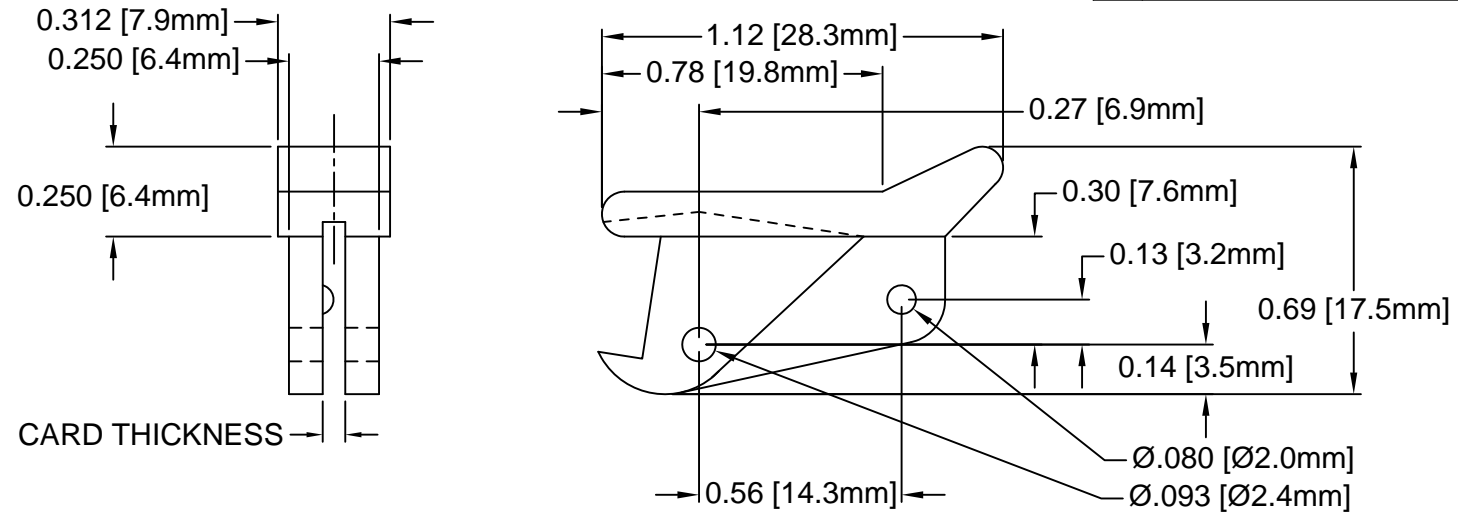


REV.	DESCRIPTION	DATE	APPROVED
F	Production Release	02/27/04	M. C.
G	Added Notes 4, 5, 6 & Color Options Sheet #2	05/16/16	J. C.
H	Updated Drawing Name to LP-06 XX	01/15/18	J. C.



PART NO.	COLOR	ROLL PIN	CARD THICKNESS
LP-06 NT	NATURAL	RP-250	1/16" (1.6mm)
LP-06 WE	WHITE	RP-250	
LP-06 XX	SEE S.#2	RP-250	

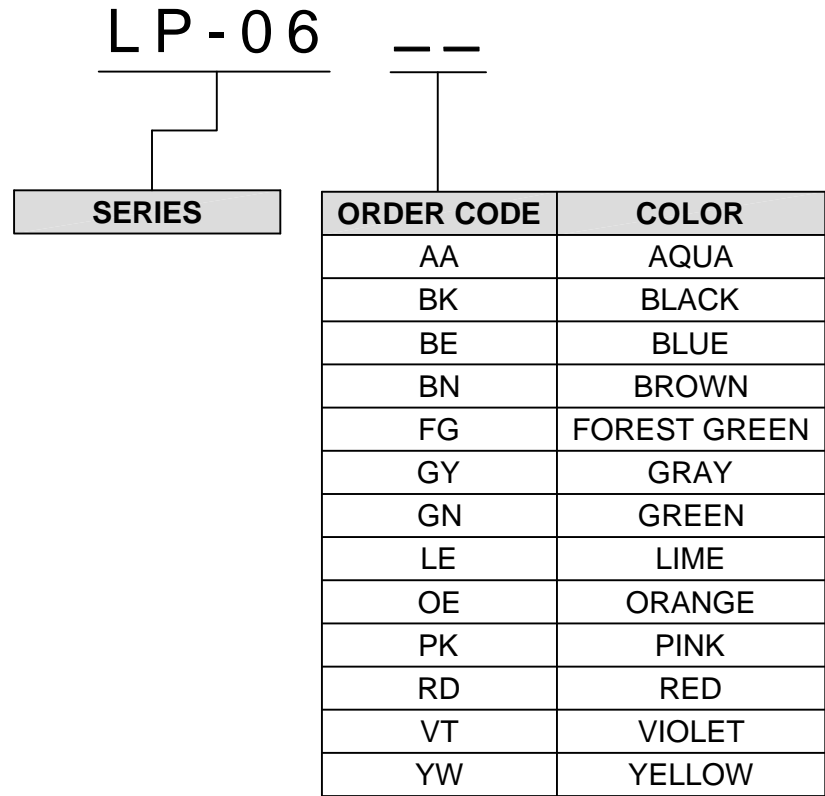
5. PRE-ASSEMBLED ROLL PINS AVAILABLE UPON REQUEST.
4. ROLL PINS INCLUDED. PACKAGED SEPARATELY.
3. MATERIAL: NYLON 6/6, 94V-2, WHITE.
2. MATERIAL: NYLON 6/6, 94V-2, NATURAL.
1. GENERAL SPECIFICATIONS: BIVAR MOLDED COMPONENT SPECIFICATION BV00-E101.

STANDARD TOLERANCE (UNLESS OTHERWISE SPECIFIED)		 4 THOMAS, IRVINE, CA. 92618 TEL: (949) 951-8808 FAX: (949) 951-3974	
DECIMALS	ANGULAR		
.X ± .1	X° ± 1°	 TITLE: CIRCUIT BOARD CARD EJECTOR	
.XX ± .01			
.XXX ± .005		PART NO: LP-06 XX REVISION: H	
DESIGNED: S. Irving	DATE: 09/21/98	CAGE CODE : 32559 SHEET # 1 OF 2	
CHECKED: R. Dienst	DATE: 04/06/00	CAD GENERATED DOCUMENT. DO NOT MEASURE DRAWING.	

OTHER AVAILABLE COLORS

* SEE TABLE FOR ORDERING INFORMATION

REV.	DESCRIPTION	DATE	APPROVED
	SEE SHEET #1		



6. PARTS ARE DYED TO COLOR UPON REQUEST.

STANDARD TOLERANCE (UNLESS OTHERWISE SPECIFIED) DECIMALS ANGULAR		4 THOMAS, IRVINE, CA. 92618 TEL: (949) 951-8808 FAX: (949) 951-3974	
DESIGNED: S. Irving		DATE: 09/21/98	
CHECKED: R. Dienst		DATE: 04/06/00	
		TITLE: CIRCUIT BOARD CARD EJECTOR	
PART NO: LP-06 XX		REVISION: H	
CAGE CODE : 32559		SHEET # 2 OF 2	
CAD GENERATED DOCUMENT. DO NOT MEASURE DRAWING.			